

The AV600 is a FPGA base card featuring Xilinx Spartan 6 FPGA. The card offers high speed image streaming in a small footprint at a low cost. The base card is expandable via any of the AVXB modules. The unit also includes a SFP interface, when a specialised network connection is required such as 10G fibre.

Applications
IP Cameras
Video Conference
Image Processing
Data Streaming

Features

- Xilinx Spartan 6 FPGA
- Supports all AVXB modules
- 1GB DDR3 Image Processing Memory
- LVDS LCD Driver
- SFP Interface
- Onboard ARM 9 Microprocessor

Connectivity

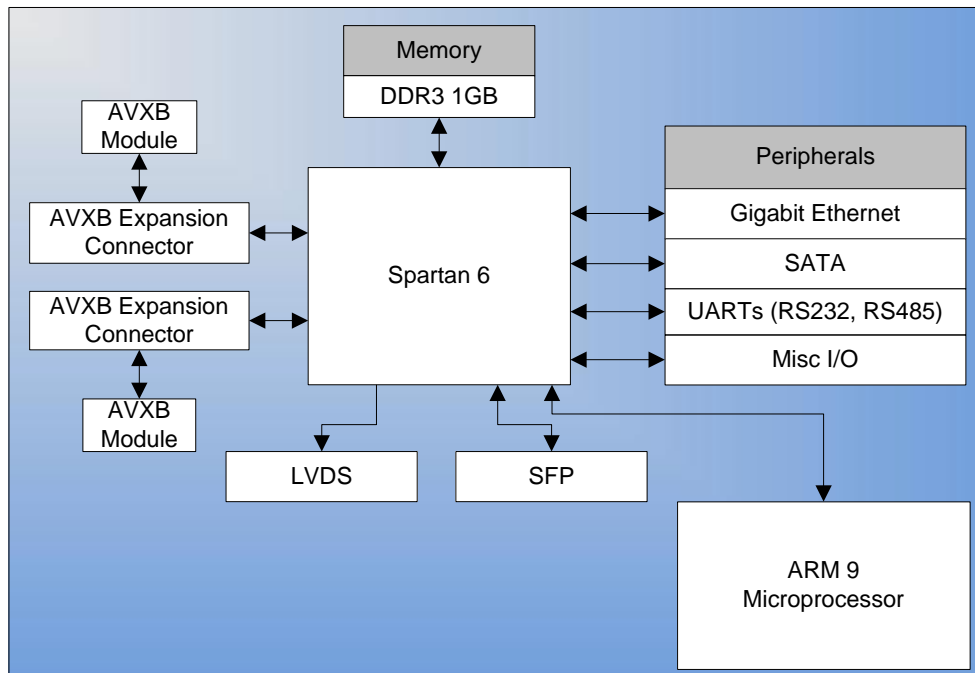
- SATA
- Gigabit Ethernet
- SFP
- LVDS
- UARTS, I2C, SPI Communication Ports
- I/O Interface
- AVXB Expansion Interface x 2

Benefits

- Small footprint streaming solution
- Very low latency
- Loss less video encoding
- High speed image processing
- **RTP** raw packet formatting
- Run length encoding (RLE)
- Low cost
- Expandable via AVXB modules to suite the user
- Module configuration via a webpage interface

AVXB Expandable Modules

- AV909 – Dual Channel Multi-format video decoder
- AV939 – DVI Transceiver
- AV949 – Cameralink Receiver
- AV959 – Quad Channel ADC & DAC
- AV969 – HD/SD HDMI/CVBS/YPbPr video decoder



Contact Advanced Vision Technology for customised options.