

The AV610 is a power CameraLink processing development card. The AV610 features dedicated high speed ZBT memory with CameraLink in and output ports. The card also has three ADC channels for auxiliary inputs which can be processed and then overlaid onto to output ports (VGA, DVI & CameraLink)

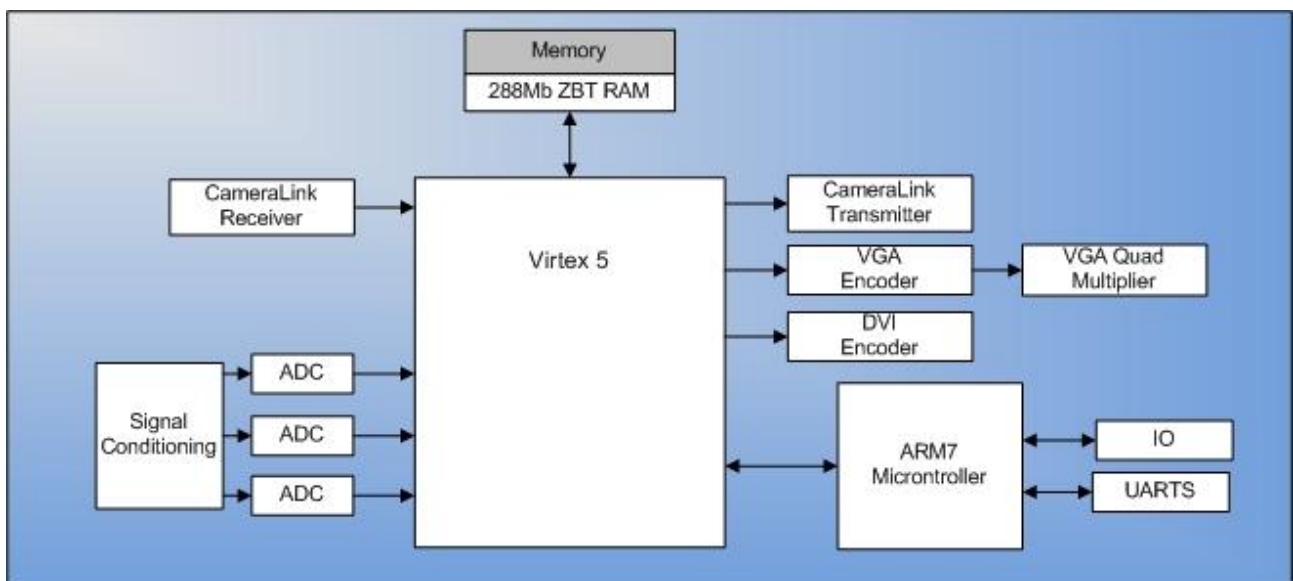
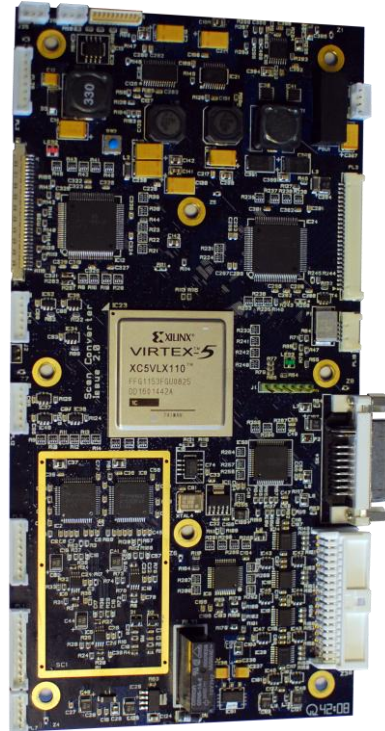
Applications
Complex CameraLink Image Processing
Scan Converters

Features

- Xilinx Virtex 5 FPGA
- 144Mb ZBT Memory
- Cameralink Receiver/Transmitter
- VGA & DVI Out
- ARM
- Triple 40Mps ADC

Connectivity

- Cameralink Base/Medium/Full
- VGA x 4 Channels
- DVI
- Triple ADC
- UARTS, I2C
- Buffered I/O Interface



Contact Advanced Vision Technology for customised options.