



#### FEATURES

- HD-SDI inputs accepted
- GiGE Vision output interface
- Rugged Milled Aluminium housing
- RS422/RS485/CAN interface options
- Mil-Std-38999 Connectors
- Operating Temperature -40°C to 50°C
- CE Approved
- ROHS Complaint
- Dual HD-SDI inputs available
- POE supply available

The VES7001 is a HD-SDI to GigE Vision video converter. It allows HD-SDI video to be accepted and converted to an uncompressed GigE Vision format for distribution over a 1G ethernet network.

The unit is enclosed in a rugged black anodised milled aluminium housing fitted with Mil Spec 38999 connectors. The unit is IP61 rated with an option to extend this to IP67.

The hardware fpga implementation ensure an ultra-low video latency figure of as little as 2 x video line periods.

An optional web interface allows the units IP address and other configuration settings to be altered.

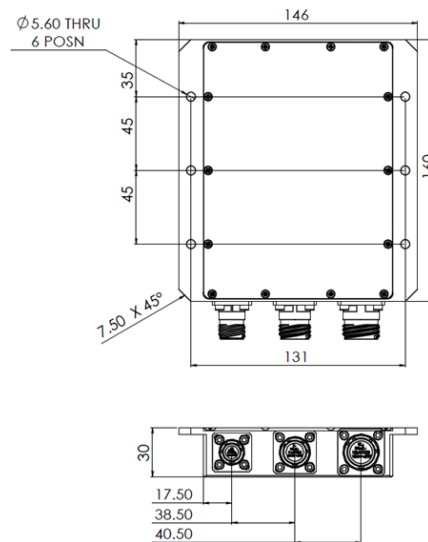
A communications channel is available for communications with a camera or other equipment. This channel can be RS422/RS485 or CAN bus (please specify using the correct part number)

SNMP ethernet management is also available for device setup and status information.

The VES7001 enables developers to shorten time to market by using existing hardware components and focussing on the overall system functionality with a structured migration path.

### Technical Specifications

<b>Video Inputs</b>	
HD-SDI	Supports the following formats. 720x576@25P/50P, 1280x720 @50Hz/60Hz 1920x1080@P25/50i
<b>Communications</b>	
Ethernet	1x 1000B ethernet video streaming channel
RS422/RS485	1 x RS422 interface (RS485 or CAN bus build option available)
<b>Connectors</b>	
Rugged MIL Standard (MIL-STD-38999)	
<b>Mechanical</b>	
Weight (Approx.)	700g
Dimensions	146mm(W) x 160mm(H) x 30mm(D)
<b>Colour</b>	
Black Anodised	
<b>Environmental</b>	
Humidity	90% @ +40°C noncondensing
Ingress Protection	IP61 (IP67 option available)
Temperature	Operating Temperature: -40°C to +50°C Storage Temperature: -40°C to +125°C Cooling: No Moving Parts. Passive
<b>Power</b>	
Input Power Voltage: 18-36V Power Consumption: 13W	
<b>Conformity</b>	
2004/108/CE - RoHS	
Extended EMC Conformity	Enquire for details
Extended Environmental	Enquire for details



### Part Number Information

VES7001-X-Y-Z-I

X : Communication Interface None = 0, RS422 = 1, RS485 = 2, CAN bus = 3

Y : Unit Power POE = E, Separate supply connector = S

Z : Dual HD-SDI = D, Single HD-SDI = N

I : = IP67 option otherwise blank